

# Smart High-Side Power Switch

Smart High-Side Power Switch

PROFET BTS712N1

## Data Sheet

Rev 1.3, 2010-03-16

Automotive Power

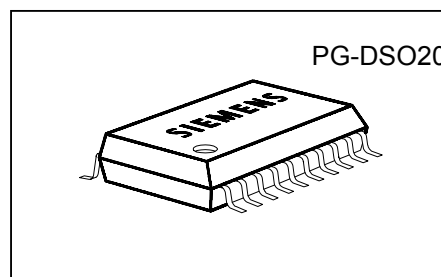
## Smart Four Channel Highside Power Switch

### Features

- Overload protection
- Current limitation
- Short-circuit protection
- Thermal shutdown
- Overvoltage protection (including load dump)
- Fast demagnetization of inductive loads
- Reverse battery protection<sup>1)</sup>
- Undervoltage and overvoltage shutdown with auto-restart and hysteresis
- Open drain diagnostic output
- Open load detection in OFF-state
- CMOS compatible input
- Loss of ground and loss of  $V_{bb}$  protection
- Electrostatic discharge (ESD) protection

### Product Summary

Overvoltage Protection	$V_{bb(AZ)}$	43	V
Operating voltage	$V_{bb(on)}$	5.0 ... 34	V
	active channels:	one	two parallel
On-state resistance $R_{ON}$		200	100
Nominal load current $I_{L(NOM)}$		1.9	2.8
Current limitation $I_{L(SCr)}$		4	4



### Application

- $\mu$ C compatible power switch with diagnostic feedback for 12 V and 24 V DC grounded loads
- All types of resistive, inductive and capacitive loads
- Replaces electromechanical relays and discrete circuits



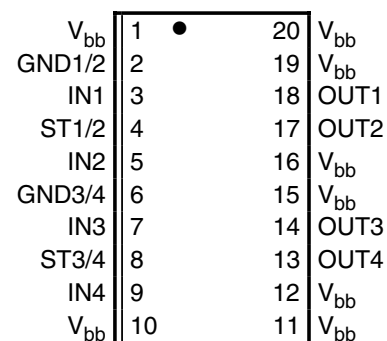
### General Description

N channel vertical power FET with charge pump, ground referenced CMOS compatible input and diagnostic feedback, monolithically integrated in Smart SIPMOS<sup>®</sup> technology. Providing embedded protective functions.

#### Pin Definitions and Functions

Pin	Symbol	Function
1,10, 11,12, 15,16, 19,20	$V_{bb}$	<b>Positive power supply voltage.</b> Design the wiring for the simultaneous max. short circuit currents from channel 1 to 4 and also for low thermal resistance
3	IN1	<b>Input 1 .. 4,</b> activates channel 1 .. 4 in case of logic high signal
5	IN2	
7	IN3	
9	IN4	
18	OUT1	<b>Output 1 .. 4,</b> protected high-side power output of channel 1 .. 4. Design the wiring for the max. short circuit current
17	OUT2	
14	OUT3	
13	OUT4	
4	ST1/2	<b>Diagnostic feedback 1/2</b> of channel 1 and channel 2, open drain, low on failure
8	ST3/4	<b>Diagnostic feedback 3/4</b> of channel 3 and channel 4, open drain, low on failure
2	GND1/2	<b>Ground 1/2</b> of chip 1 (channel 1 and channel 2)
6	GND3/4	<b>Ground 3/4</b> of chip 2 (channel 3 and channel 4)

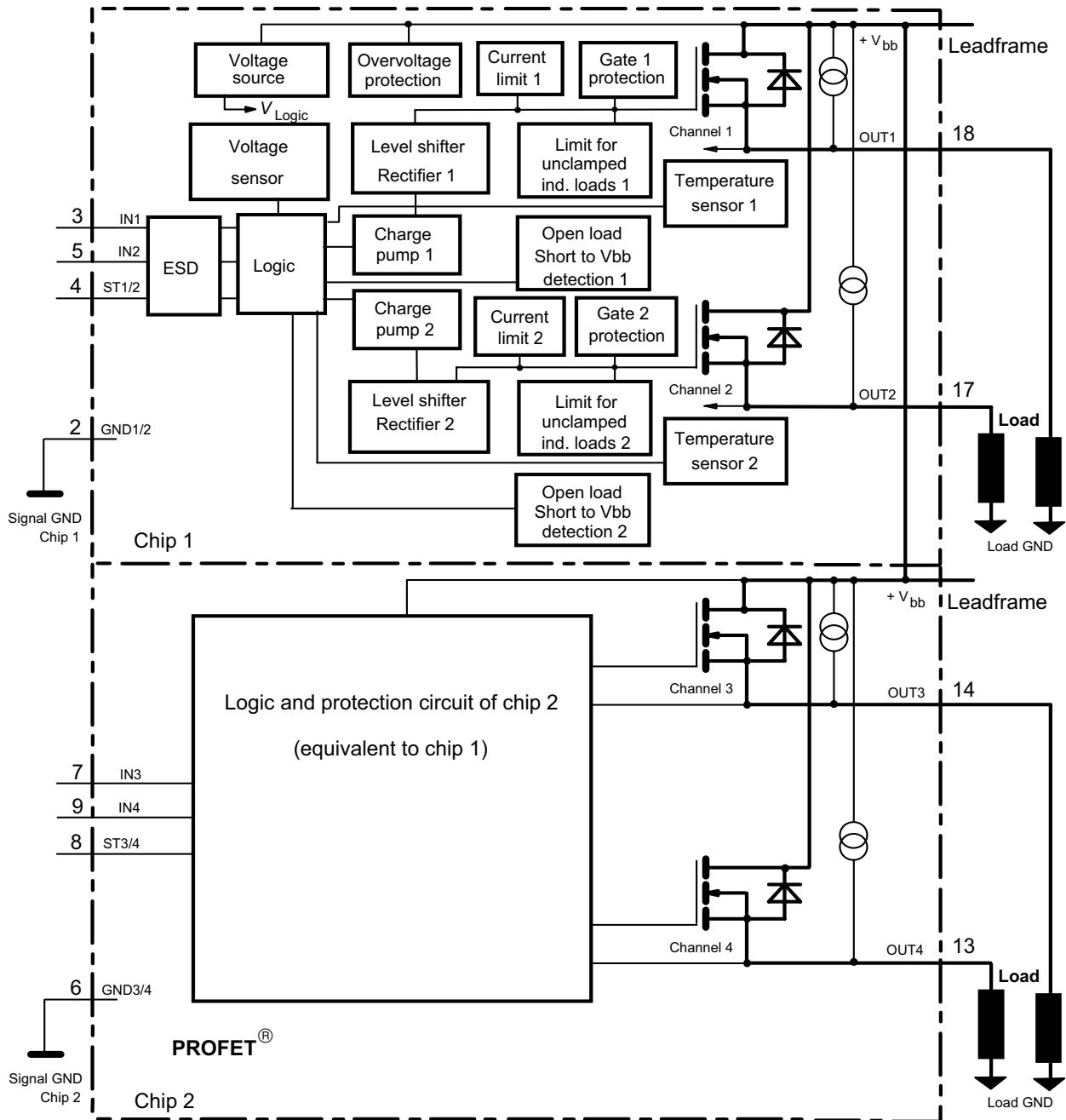
#### Pin configuration (top view)



<sup>1)</sup> With external current limit (e.g. resistor  $R_{GND}=150 \Omega$ ) in GND connection, resistor in series with ST connection, reverse load current limited by connected load.

### Block diagram

Four Channels; Open Load detection in off state;



Leadframe connected to pin 1, 10, 11, 12, 15, 16, 19, 20



## Electrical Characteristics

Parameter and Conditions, each of the four channels at $T_j = 25^\circ\text{C}$ , $V_{bb} = 12\text{ V}$ unless otherwise specified	Symbol	Values			Unit
		min	typ	max	

### Load Switching Capabilities and Characteristics

On-state resistance ( $V_{bb}$ to OUT) $I_L = 1.8\text{ A}$ each channel, $T_j = 25^\circ\text{C}$ : $T_j = 150^\circ\text{C}$ :  two parallel channels, $T_j = 25^\circ\text{C}$ : four parallel channels, $T_j = 25^\circ\text{C}$ :	$R_{ON}$	--	165 320 83 42	200 400 100 50	$\text{m}\Omega$
Nominal load current one channel active: two parallel channels active: four parallel channels active: Device on PCB <sup>5)</sup> , $T_a = 85^\circ\text{C}$ , $T_j \leq 150^\circ\text{C}$	$I_{L(NOM)}$	1.7 2.6 4.1	1.9 2.8 4.4	--	A
Output current while GND disconnected or pulled up; $V_{bb} = 30\text{ V}$ , $V_{IN} = 0$ , see diagram page 9	$I_{L(GNDhigh)}$	--	--	10	mA
Turn-on time to 90% $V_{OUT}$ : Turn-off time to 10% $V_{OUT}$ : $R_L = 12\ \Omega$ , $T_j = -40\dots+150^\circ\text{C}$	$t_{on}$ $t_{off}$	80 80	200 200	400 400	$\mu\text{s}$
Slew rate on 10 to 30% $V_{OUT}$ , $R_L = 12\ \Omega$ , $T_j = -40\dots+150^\circ\text{C}$ :	$dV/dt_{on}$	0.1	--	1	$\text{V}/\mu\text{s}$
Slew rate off 70 to 40% $V_{OUT}$ , $R_L = 12\ \Omega$ , $T_j = -40\dots+150^\circ\text{C}$ :	$-dV/dt_{off}$	0.1	--	1	$\text{V}/\mu\text{s}$

### Operating Parameters

Operating voltage <sup>7)</sup> $T_j = -40\dots+150^\circ\text{C}$ :	$V_{bb(on)}$	5.0	--	34	V
Undervoltage shutdown $T_j = -40\dots+150^\circ\text{C}$ :	$V_{bb(under)}$	3.5	--	5.0	V
Undervoltage restart $T_j = -40\dots+25^\circ\text{C}$ : $T_j = +150^\circ\text{C}$ :	$V_{bb(u\ rst)}$	--	--	5.0 7.0	V
Undervoltage restart of charge pump see diagram page 14 $T_j = -40\dots+150^\circ\text{C}$ :	$V_{bb(ucp)}$	--	5.6	7.0	V
Undervoltage hysteresis $\Delta V_{bb(under)} = V_{bb(u\ rst)} - V_{bb(under)}$	$\Delta V_{bb(under)}$	--	0.2	--	V
Overvoltage shutdown $T_j = -40\dots+150^\circ\text{C}$ :	$V_{bb(over)}$	34	--	43	V
Overvoltage restart $T_j = -40\dots+150^\circ\text{C}$ :	$V_{bb(o\ rst)}$	33	--	--	V
Overvoltage hysteresis $T_j = -40\dots+150^\circ\text{C}$ :	$\Delta V_{bb(over)}$	--	0.5	--	V
Overvoltage protection <sup>8)</sup> $T_j = -40\dots+150^\circ\text{C}$ : $I_{bb} = 40\text{ mA}$	$V_{bb(AZ)}$	42	47	--	V

7) At supply voltage increase up to  $V_{bb} = 5.6\text{ V}$  typ without charge pump,  $V_{OUT} \approx V_{bb} - 2\text{ V}$

8) see also  $V_{ON(CL)}$  in circuit diagram on page 8.



Parameter and Conditions, each of the four channels at $T_j = 25^\circ\text{C}$ , $V_{bb} = 12\text{V}$ unless otherwise specified	Symbol	Values			Unit
		min	typ	max	
Standby current, all channels off $V_{IN} = 0$	$T_j = 25^\circ\text{C}$ : $T_j = 150^\circ\text{C}$ : $I_{bb(\text{off})}$	--	180 160	300 300	$\mu\text{A}$
Operating current <sup>9)</sup> , $V_{IN} = 5\text{V}$ , $T_j = -40\dots+150^\circ\text{C}$ $I_{GND} = I_{GND1/2} + I_{GND3/4}$ , one channel on: four channels on:	$I_{GND}$	--	0.35 1.2	0.8 2.8	$\text{mA}$

### Protection Functions<sup>10)</sup>

Initial peak short circuit current limit, (see timing diagrams, page 12) each channel, $T_j = -40^\circ\text{C}$ : $T_j = 25^\circ\text{C}$ : $T_j = +150^\circ\text{C}$ : two parallel channels four parallel channels	$I_{L(\text{SCP})}$	5.5 4.5 2.5	9.5 7.5 4.5	13 11 7	A
		twice the current of one channel four times the current of one channel			
Repetitive short circuit current limit, $T_j = T_{jt}$ each channel two parallel channels four parallel channels (see timing diagrams, page 12)	$I_{L(\text{SCR})}$	--	4	--	A
		--	4	--	
		--	4	--	
Initial short circuit shutdown time $T_{j,\text{start}} = -40^\circ\text{C}$ : $T_{j,\text{start}} = 25^\circ\text{C}$ : (see page 10 and timing diagrams on page 12)	$t_{\text{off}(\text{SC})}$	--	48 29	--	ms
Output clamp (inductive load switch off) <sup>11)</sup> at $V_{\text{ON}(\text{CL})} = V_{bb} - V_{\text{OUT}}$	$V_{\text{ON}(\text{CL})}$	--	47	--	V
Thermal overload trip temperature	$T_{jt}$	150	--	--	$^\circ\text{C}$
Thermal hysteresis	$\Delta T_{jt}$	--	10	--	K

### Reverse Battery

Reverse battery voltage <sup>12)</sup>	$-V_{bb}$	--	--	32	V
Drain-source diode voltage ( $V_{\text{out}} > V_{bb}$ ) $I_L = -1.9\text{A}$ , $T_j = +150^\circ\text{C}$	$-V_{\text{ON}}$	--	610	--	mV

### Diagnostic Characteristics

Open load detection current	$I_{L(\text{off})}$	--	30	--	$\mu\text{A}$
Open load detection voltage $T_j = -40\dots+150^\circ\text{C}$ :	$V_{\text{OUT}(\text{OL})}$	2	3	4	V

<sup>9)</sup> Add  $I_{ST}$ , if  $I_{ST} > 0$


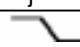
<sup>10)</sup> Integrated protection functions are designed to prevent IC destruction under fault conditions described in the data sheet. Fault conditions are considered as "outside" normal operating range. Protection functions are not designed for continuous repetitive operation.

<sup>11)</sup> If channels are connected in parallel, output clamp is usually accomplished by the channel with the lowest  $V_{\text{ON}(\text{CL})}$

<sup>12)</sup> Requires a  $150\ \Omega$  resistor in GND connection. The reverse load current through the intrinsic drain-source diode has to be limited by the connected load. Note that the power dissipation is higher compared to normal operating conditions due to the voltage drop across the intrinsic drain-source diode. The temperature protection is not active during reverse current operation! Input and Status currents have to be limited (see max. ratings page 3 and circuit page 8).

Parameter and Conditions, each of the four channels at $T_j = 25\text{ °C}$ , $V_{bb} = 12\text{ V}$ unless otherwise specified	Symbol	Values			Unit
		min	typ	max	

**Input and Status Feedback<sup>13)</sup>**

Input resistance (see circuit page 8)	$T_j = -40\dots+150\text{ °C}$ :	$R_i$	2.5	3.5	6	k $\Omega$
Input turn-on threshold voltage	 $T_j = -40\dots+150\text{ °C}$ :	$V_{IN(T+)}$	1.7	--	3.5	V
Input turn-off threshold voltage	 $T_j = -40\dots+150\text{ °C}$ :	$V_{IN(T-)}$	1.5	--	--	V
Input threshold hysteresis		$\Delta V_{IN(T)}$	--	0.5	--	V
Off state input current $T_j = -40\dots+150\text{ °C}$ :	$V_{IN} = 0.4\text{ V}$ :	$I_{IN(off)}$	1	--	50	$\mu\text{A}$
On state input current $T_j = -40\dots+150\text{ °C}$ :	$V_{IN} = 5\text{ V}$ :	$I_{IN(on)}$	20	50	90	$\mu\text{A}$
Delay time for status with open load (see timing diagrams, page 12)		$t_{d(ST\ OL3)}$	--	220	--	$\mu\text{s}$
Status output (open drain)						
Zener limit voltage	$T_j = -40\dots+150\text{ °C}$ , $I_{ST} = +1.6\text{ mA}$ :	$V_{ST(high)}$	5.4	6.1	--	V
ST low voltage	$T_j = -40\dots+25\text{ °C}$ , $I_{ST} = +1.6\text{ mA}$ :	$V_{ST(low)}$	--	--	0.4	
	$T_j = +150\text{ °C}$ , $I_{ST} = +1.6\text{ mA}$ :		--	--	0.6	

<sup>13)</sup> If ground resistors  $R_{GND}$  are used, add the voltage drop across these resistors.

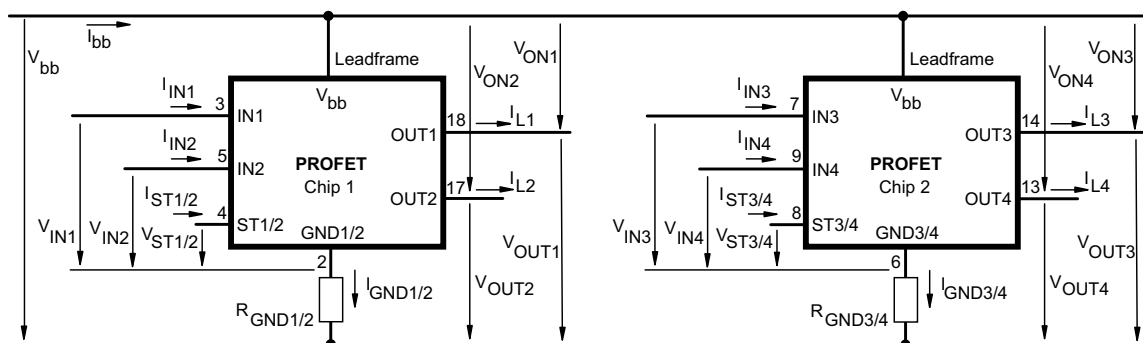
### Truth Table

Channel 1 and 2	Chip 1	IN1	IN2	OUT1	OUT2	ST1/2	ST1/2
Channel 3 and 4 (equivalent to channel 1 and 2)	Chip 2	IN3	IN4	OUT3	OUT4	ST3/4	ST3/4
						BTS 711L1	BTS 712N1
Normal operation		L	L	L	L	H	H
		L	H	L	H	H	H
		H	L	H	L	H	H
		H	H	H	H	H	H
Open load	Channel 1 (3)	L	L	Z	L	H(L <sup>14</sup> )	L
		L	H	Z	H	H	H
		H	X	H	X	L	H
	Channel 2 (4)	L	L	L	Z	H(L <sup>14</sup> )	L
		H	L	H	Z	H	H
		X	H	X	H	L	H
Short circuit to V <sub>bb</sub>	Channel 1 (3)	L	L	H	L	L <sup>15</sup>	L <sup>15</sup>
		L	H	H	H	H	H
		H	X	H	X	H(L <sup>16</sup> )	H
	Channel 2 (4)	L	L	L	H	L <sup>15</sup>	L <sup>15</sup>
		H	L	H	H	H	H
		X	H	X	H	H(L <sup>16</sup> )	H
Overtemperature	both channel	L	L	L	L	H	H
		X	H	L	L	L	L
		H	X	L	L	L	L
	Channel 1 (3)	L	X	L	X	H	H
		H	X	L	X	L	L
	Channel 2 (4)	X	L	X	L	H	H
X		H	X	L	L	L	
Undervoltage/ Overvoltage		X	X	L	L	H	H

L = "Low" Level      X = don't care      Z = high impedance, potential depends on external circuit  
H = "High" Level      Status signal valid after the time delay shown in the timing diagrams

Parallel switching of channel 1 and 2 (also channel 3 and 4) is easily possible by connecting the inputs and outputs in parallel (see truth table). If switching channel 1 to 4 in parallel, the status outputs ST1/2 and ST3/4 have to be configured as a 'Wired OR' function with a single pull-up resistor.

### Terms



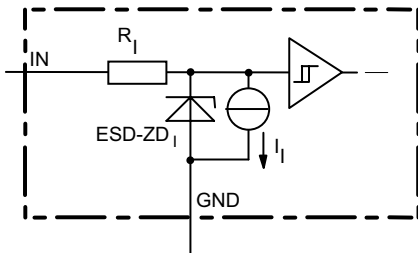
Leadframe ( $V_{bb}$ ) is connected to pin 1,10,11,12,15,16,19,20

External  $R_{GND}$  optional; two resistors  $R_{GND1/2}, R_{GND3/4} = 150 \Omega$  or a single resistor  $R_{GND} = 75 \Omega$  for reverse battery protection up to the max. operating voltage.

- 14) With additional external pull up resistor
- 15) An external short of output to  $V_{bb}$  in the off state causes an internal current from output to ground. If  $R_{GND}$  is used, an offset voltage at the GND and ST pins will occur and the  $V_{ST\ low}$  signal may be erroneous.
- 16) Low resistance to  $V_{bb}$  may be detected by no-load-detection

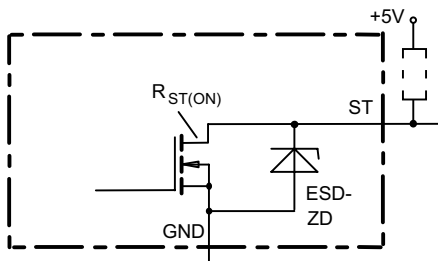


**Input circuit (ESD protection), IN1...4**



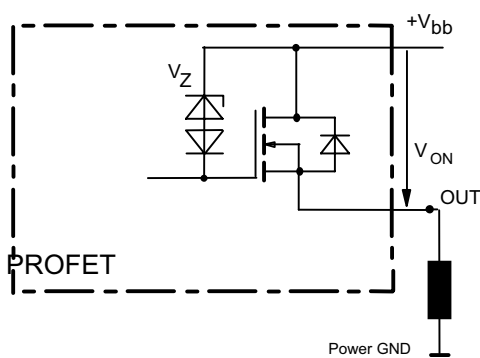
ESD zener diodes are not to be used as voltage clamp at DC conditions. Operation in this mode may result in a drift of the zener voltage (increase of up to 1 V).

**Status output, ST1/2 or ST3/4**



ESD-Zener diode: 6.1 V typ., max 5.0 mA;  $R_{ST(ON)} < 380 \Omega$  at 1.6 mA, ESD zener diodes are not to be used as voltage clamp at DC conditions. Operation in this mode may result in a drift of the zener voltage (increase of up to 1 V).

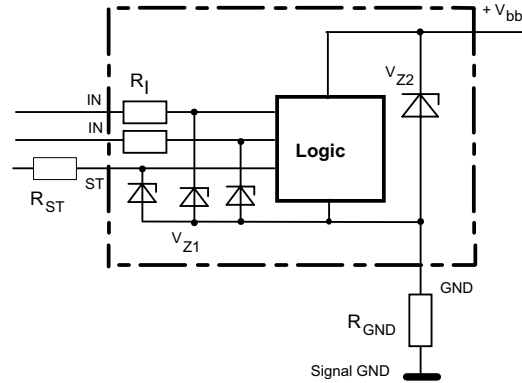
**Inductive and overvoltage output clamp, OUT1...4**



$V_{ON}$  clamped to  $V_{ON(CL)} = 47 \text{ V typ.}$

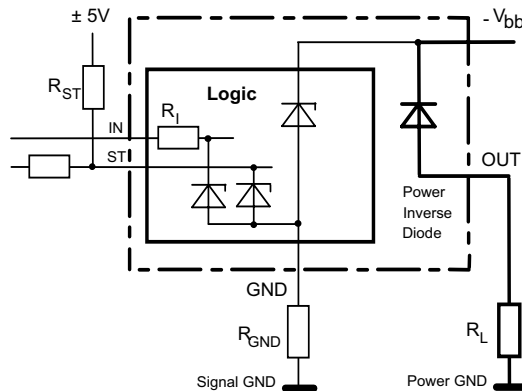
**Overvoltage protection of logic part**

GND1/2 or GND3/4



$V_{Z1} = 6.1 \text{ V typ.}$ ,  $V_{Z2} = 47 \text{ V typ.}$ ,  $R_I = 3.5 \text{ k}\Omega \text{ typ.}$ ,  $R_{GND} = 150 \Omega$

**Reverse battery protection**



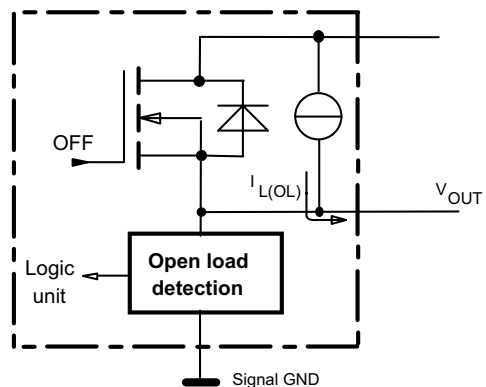
$R_{GND} = 150 \Omega$ ,  $R_I = 3.5 \text{ k}\Omega \text{ typ.}$

Temperature protection is not active during inverse current operation.

**Open-load detection, OUT1...4**

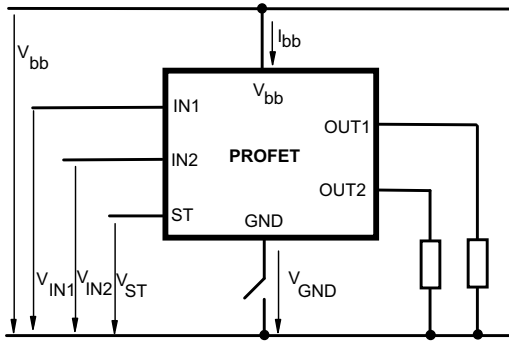
OFF-state diagnostic condition:

$V_{OUT} > 3 \text{ V typ.}$ ; IN low



### GND disconnect

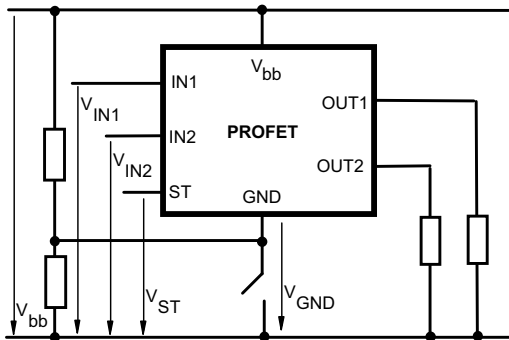
(channel 1/2 or 3/4)



Any kind of load. In case of IN=high is  $V_{OUT} \approx V_{IN} - V_{IN(T+)}$ .  
Due to  $V_{GND} > 0$ , no  $V_{ST} = \text{low}$  signal available.

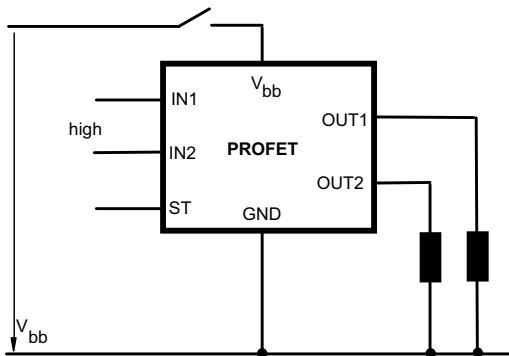
### GND disconnect with GND pull up

(channel 1/2 or 3/4)



Any kind of load. If  $V_{GND} > V_{IN} - V_{IN(T+)}$  device stays off  
Due to  $V_{GND} > 0$ , no  $V_{ST} = \text{low}$  signal available.

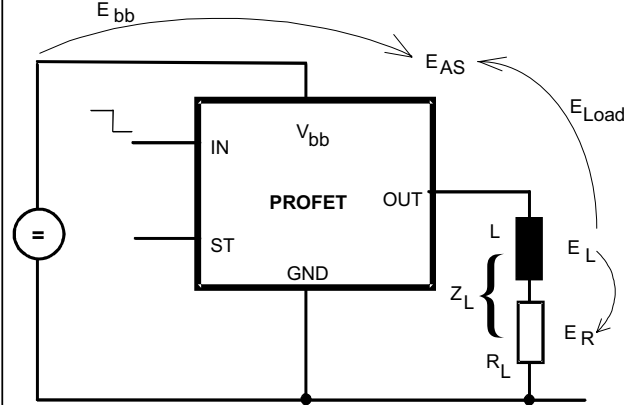
### V<sub>bb</sub> disconnect with energized inductive load



For an inductive load current up to the limit defined by  $E_{AS}$  (max. ratings see page 3 and diagram on page 9) each switch is protected against loss of  $V_{bb}$ .

Consider at your PCB layout that in the case of  $V_{bb}$  disconnection with energized inductive load the whole load current flows through the GND connection.

### Inductive load switch-off energy dissipation



Energy stored in load inductance:

$$E_L = \frac{1}{2} \cdot L \cdot I_L^2$$

While demagnetizing load inductance, the energy dissipated in PROFET is

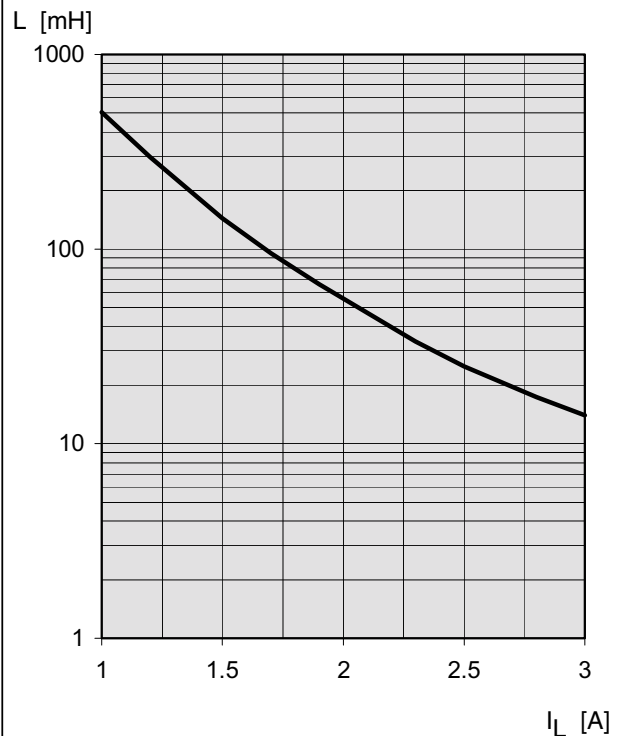
$$E_{AS} = E_{bb} + E_L - E_R = \int V_{ON(CL)} \cdot i_L(t) dt,$$

with an approximate solution for  $R_L > 0 \Omega$ :

$$E_{AS} = \frac{I_L \cdot L}{2 \cdot R_L} (V_{bb} + |V_{OUT(CL)}|) \ln \left( 1 + \frac{I_L \cdot R_L}{|V_{OUT(CL)}|} \right)$$

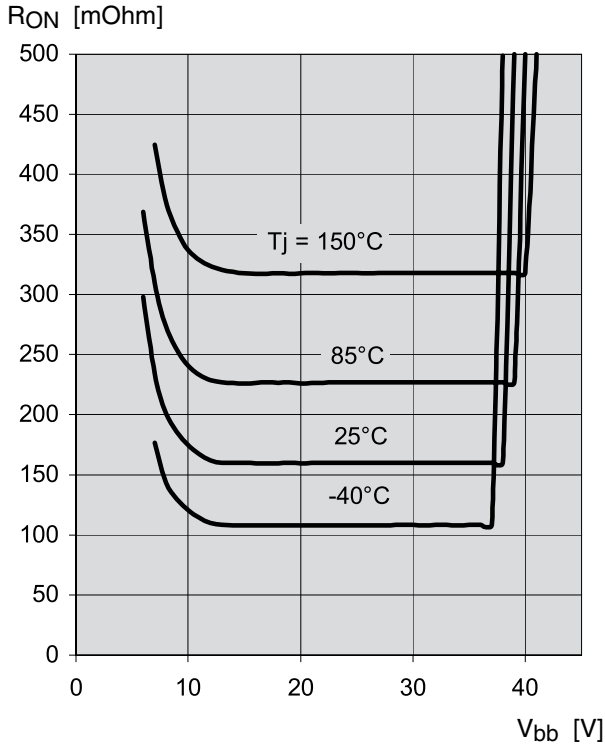
### Maximum allowable load inductance for a single switch off (one channel)<sup>5)</sup>

$L = f(I_L)$ ;  $T_{j,start} = 150^\circ\text{C}$ ,  $V_{bb} = 12\text{V}$ ,  $R_L = 0 \Omega$



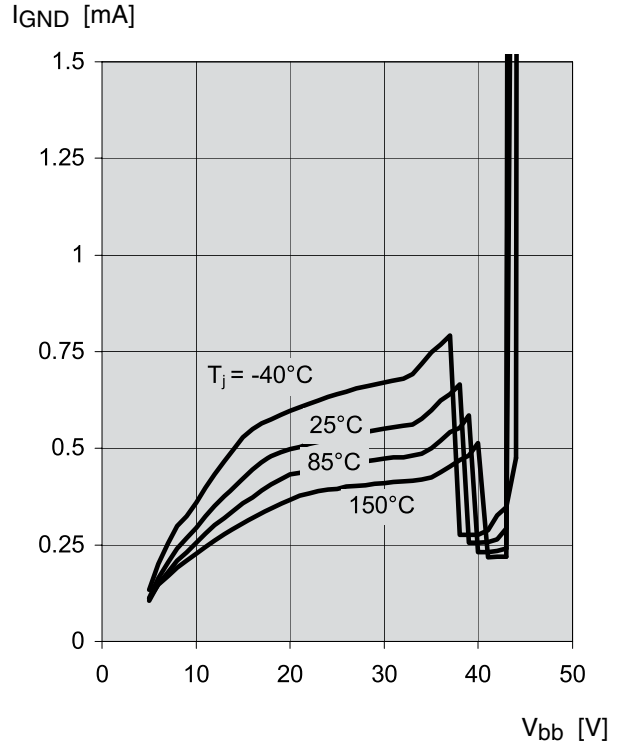
**Typ. on-state resistance**

$R_{ON} = f(V_{bb}, T_j)$ ;  $I_L = 1.8\text{ A}$ ,  $I_N = \text{high}$



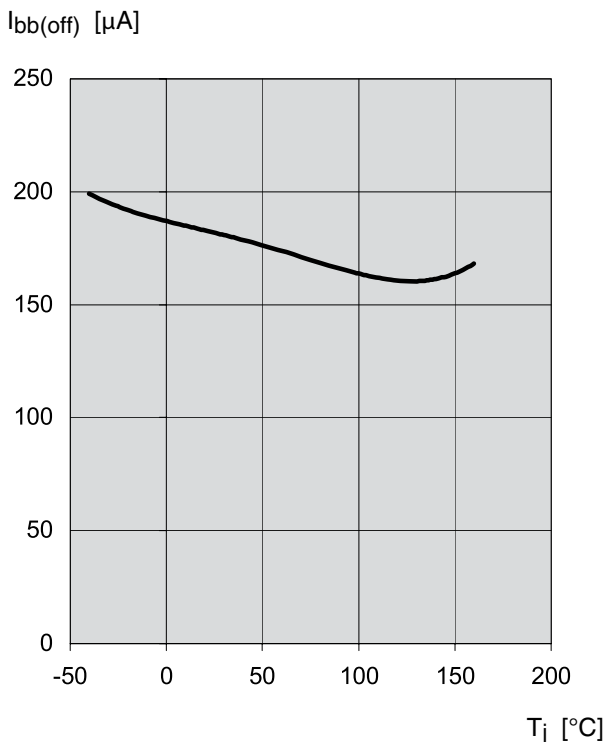
**Typ. ground pin operating current**

$I_{GND} = f(V_{bb}, T_j)$ ;  $V_{IN} = \text{high}$  (one channel on)



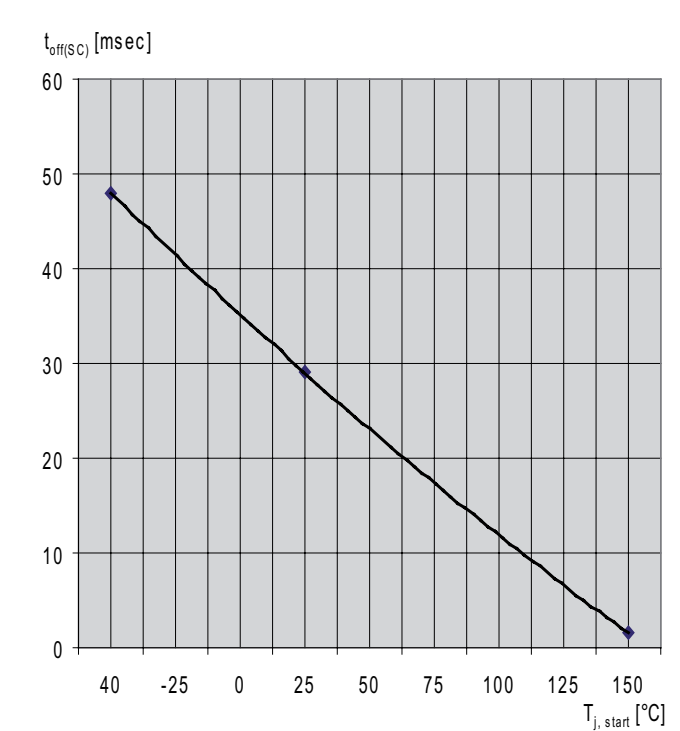
**Typ. standby current**

$I_{bb(off)} = f(T_j)$ ;  $V_{bb} = 9...34\text{ V}$ ,  $I_{N1...4} = \text{low}$



**Typ. initial short circuit shutdown time**

$t_{off(SC)} = f(T_{j,start})$ ;  $V_{bb} = 12\text{ V}$

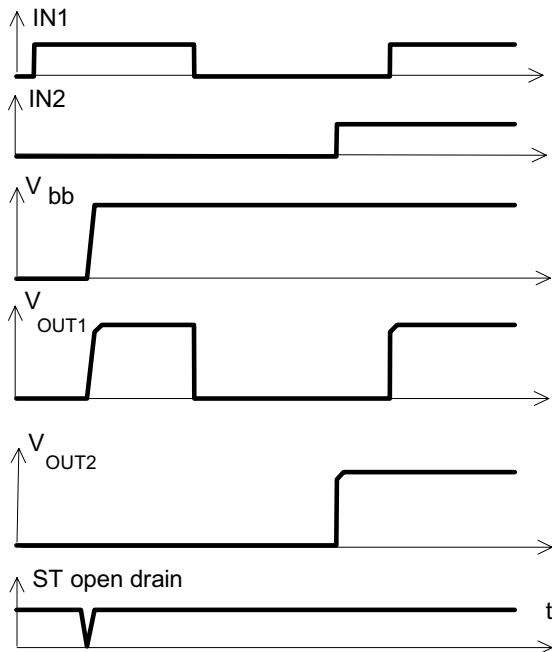


$I_{bb(off)}$  includes four times the current  $I_{L(off)}$  of the open load detection current sources.

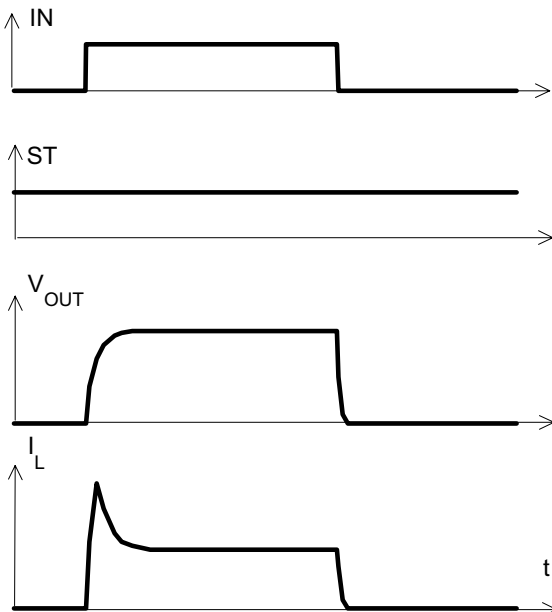
## Timing diagrams

Timing diagrams are shown for chip 1 (channel 1/2). For chip 2 (channel 3/4) the diagrams are valid too. The channels 1 and 2, respectively 3 and 4, are symmetric and consequently the diagrams are valid for each channel as well as for permuted channels

**Figure 1a:**  $V_{bb}$  turn on:

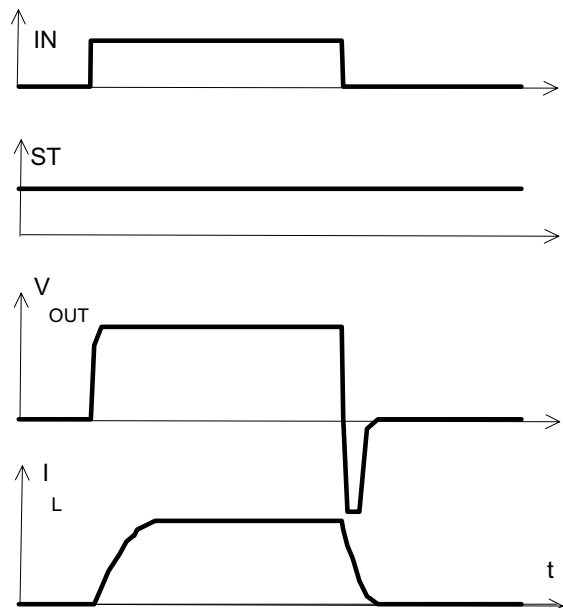


**Figure 2a:** Switching a lamp:

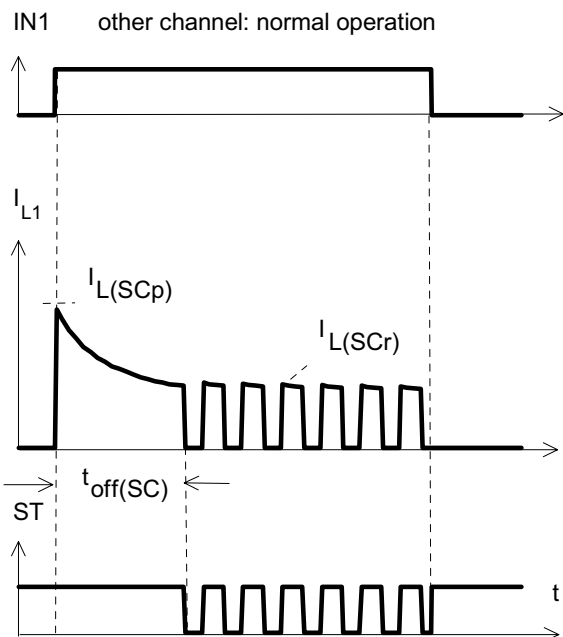


The initial peak current should be limited by the lamp and not by the initial short circuit current  $I_{L(SCp)} = 7.5$  A typ. of the device.

**Figure 2b:** Switching an inductive load,

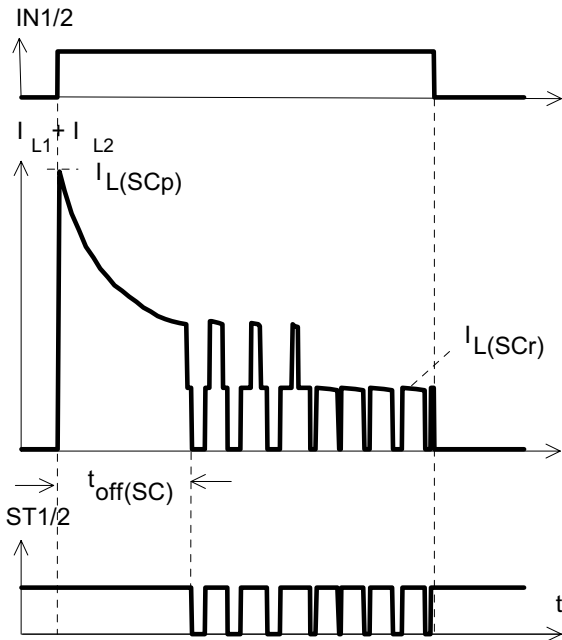


**Figure 3a:** Turn on into short circuit:  
shut down by overtemperature, restart by cooling

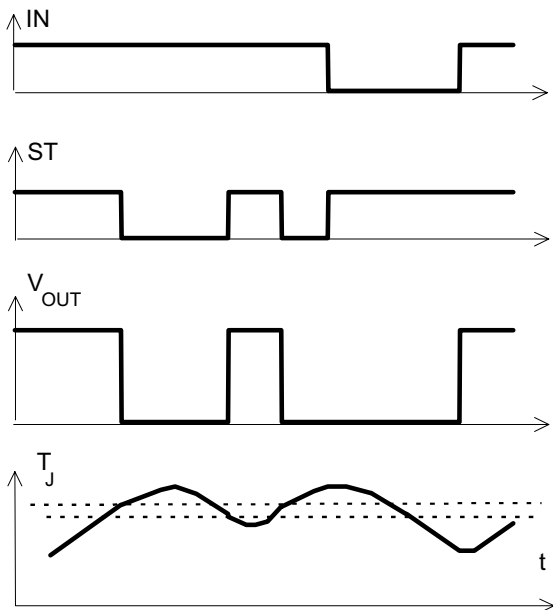


Heating up of the chip may require several milliseconds, depending on external conditions ( $t_{off(SC)}$  vs.  $T_{j,start}$  see page 11)

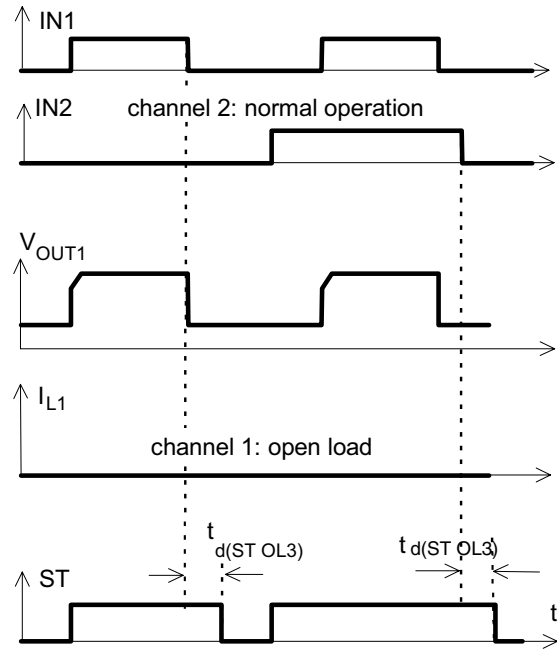
**Figure 3b:** Turn on into short circuit: shut down by overtemperature, restart by cooling (two parallel switched channels 1 and 2)



**Figure 4a:** Overtemperature: Reset if  $T_j < T_{jt}$

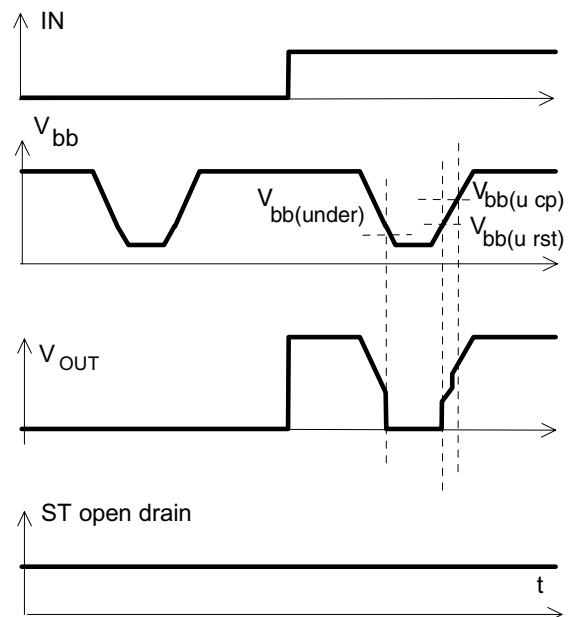


**Figure 5a:** Open load: detection in OFF-state, turn on/off to open load

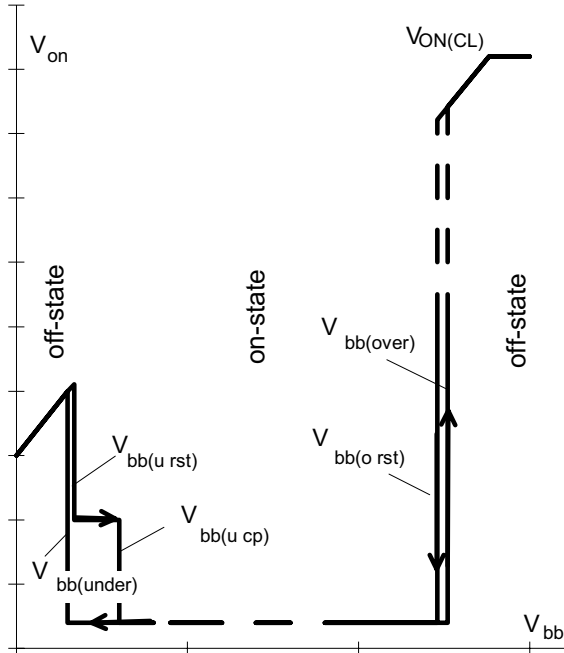


$t_{d(ST,OL3)}$  depends on external circuitry because of high impedance  
\*)  $I_L = 30 \mu A$  typ

**Figure 6a:** Undervoltage:

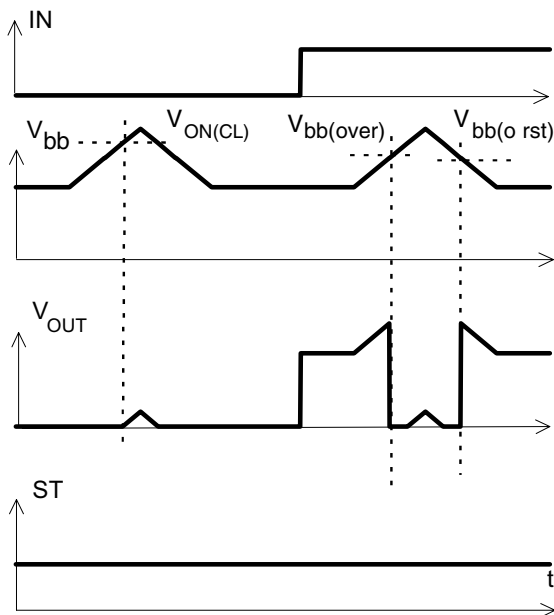


**Figure 6b:** Undervoltage restart of charge pump



IN = high, normal load conditions.  
Charge pump starts at  $V_{bb(ucp)} = 5.6V$  typ.

**Figure 7a:** Overvoltage:







## Revision History

Version	Date	Changes
Rev 1.3	2010-03-16	page 6: changed reference to the timing diagram
Rev 1.2	2009-07-13	page 1: added new coverpage page 6: Initial short circuit shutdown time changed: toff(SC) -40 °C to 48 ms toff(SC) 25 °C to 29 ms page 11: changed graphic
V1.1	2007-08-30	Creation of the green datasheet. First page : Adding the green logo and the AEC qualified Adding the bullet AEC qualified and the RoHS compliant features Package page Modification of the package to be green.

**Edition 2010-03-16**

**Published by  
Infineon Technologies AG  
81726 Munich, Germany**

**© Infineon Technologies AG 3/16/10.  
All Rights Reserved.**

### **Legal Disclaimer**

The information given in this document shall in no event be regarded as a guarantee of conditions or characteristics ("Beschaffenhheitsgarantie"). With respect to any examples or hints given herein, any typical values stated herein and/or any information regarding the application of the device, Infineon Technologies hereby disclaims any and all warranties and liabilities of any kind, including without limitation warranties of non-infringement of intellectual property rights of any third party.

### **Information**

For further information on technology, delivery terms and conditions and prices please contact your nearest Infineon Technologies Office ([www.infineon.com](http://www.infineon.com)).

### **Warnings**

Due to technical requirements components may contain dangerous substances. For information on the types in question please contact your nearest Infineon Technologies Office.

Infineon Technologies Components may only be used in life-support devices or systems with the express written approval of Infineon Technologies, if a failure of such components can reasonably be expected to cause the failure of that life-support device or system, or to affect the safety or effectiveness of that device or system. Life support devices or systems are intended to be implanted in the human body, or to support and/or maintain and sustain and/or protect human life. If they fail, it is reasonable to assume that the health of the user or other persons may be endangered.